



4400 F SERIES



MODEL 4414-20F COMPLETE WITH 2 STAGE HYDRAULIC PIPE CLAMP SHOWN



- 18-20,000 LB CAPACITY RANGE
- FULL TIME FOUR WHEEL DRIVE
- OUTBOARD PLANETARY DRIVE AXLES
- OIL IMMERSED DISC BRAKES
- HEAVY DUTY POWERSHIFT TRANSMISSION
- SIX CYLINDER EPA COMPLIANT ENGINE
- MODULAR COOLING SYSTEM
- HEAVY DUTY C-THRU ROLLER MASTS
- ISOLATED ROOMY OPERATORS MODULE
- CERTIFIED FOPS ROPS STRUCTURE
- SUPERIOR OPERATOR VISIBILITY

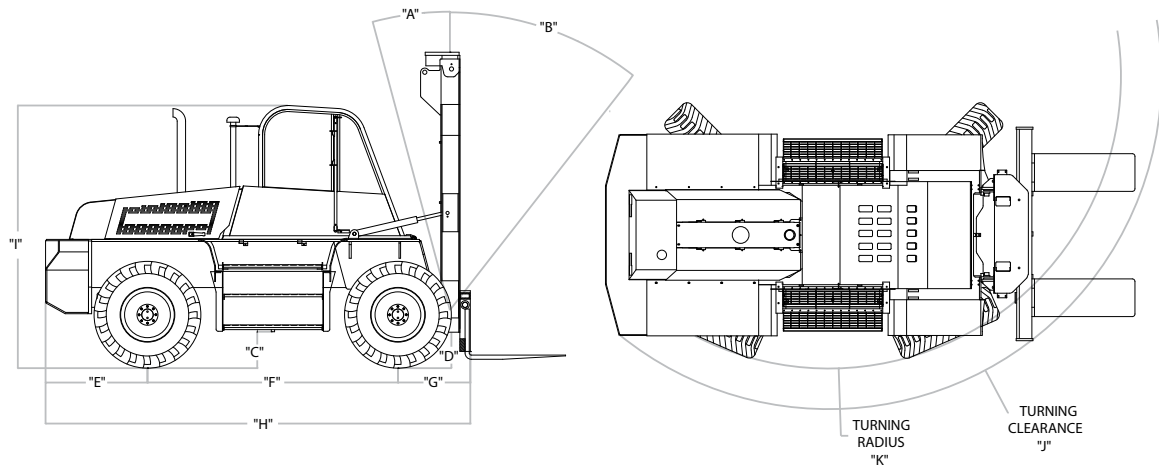
LOAD LIFTER FEATURES DO WORK FOR YOU

MACHINE APROX. WEIGHTS

18,000 LB- 14,969 Kg (33,000 lbs)
20,000 LB- 15,818 Kg (34,800 lbs)

MACHINE DIMENSIONS

A (Tilt Back) 14°
B (Tilt Forward) 18°
C (Machine Ground Clearance) 15"
D (Mast Ground Clearance) 14"
E (Counterweight Overhang) 49"
F (Wheelbase) 125"
G (C/L Drive Axle to Face of Forks) 40⁵/₈"
H (Overall Length to Face of Forks) 209"
I (Overall Height Top of Cab) 124"
J (Turning Clearance) 212"
K (Turning Radius) 192¹/₂"
L (Overall Width) 102"



ENGINE

Make Perkins 1106D-E66TA Turbo Diesel
Displacement 6.6 Litres (403 cu. in.)
Gross B.H.P. 129.8 KW (174 H.P.)
Maximum Torque 683 N.m. (505.4 ft. lbs.)
Rated Speed 2200 r.p.m.

FLUID CAPACITIES

Cooling System 15.5 litres / 12.2 Quarts
Engine Oil 15.1 litres / 16 Quarts
Fuel 100 litres / 26.4 U.S. Gal.
Hydraulic Oil 215 litres / 56.8 U.S. Gal.

TRANSMISSION

Type 4F/3R Speed 24,000 Series Powershift
Speeds
1 4.2 km (2.6 mph)
2 9 km (5.6 mph)
3 20 km (12.5 mph)
4 27 km (17 mph)

BRAKE

Hydraulic Power Oil Immersed disc brakes

HYDRAULIC SYSTEM

Pump Tandem Gear Type System
Full Load Sense Steering Circuit
Modular Control Valve c/w Tilt Lock System

AXLES

Drive/Steer

Clark Outboard
Planetary 4 wheel drive

ELECTRICAL SYSTEM

Volts 12
Alternator 85 amp.

TIRES

Drive/Steer

17.5R x 25

STANDARD EQUIPMENT

- 4F/3R Speed 24,000 Series Transmission
- Electric Column Shift
- Tilt & Telescopic Steering Console
- Hydrostatic Power Load Sense Steering
- Safety Start
- Dry Type Air Cleaner
- Retractable Seat Belts
- Height Adjustable Seat c/w Arm Rests
- LED Instrument Display
- Engine Temp
- Engine Oil Pressure
- Fuel Level
- Water Temp
- Engine Oil Pressure
- Fuel Level
- Water Temp.
- Power Brakes
- Murphy Powerview Display
- R.O.P.S. / F.O.P.S. Cab
- Hour meter
- Circuit Breakers
- Block Heater
- Heavy Duty Battery
- Anti Freeze -40°C
- Horn
- Four Work Lights
- Directional signals

- Marker lights
- Reverse lights
- Brake lights
- Transmission De Clutch
- 14" C-Thru Mast
- 60" Shaft Carriage
- 48" Forks

OPTIONAL EQUIPMENT

- 32,000 Series Transmission
- Air Ride Swivel Seat
- Cold Weather Package
- Murphy Shutdown Systems
- Exhaust Purifier
- High Air Intake
- Cyclonic Pre-Cleaner
- Lift Circuit Cushion Accumulator
- Pintle Hook
- Fork Positioner
- Load Grapple
- Hydraulic Bucket
- Full Range of Attachments
- Marine Negative Masts

This information contained herein is general in nature and not intended for specific application purpose. Load Lifter reserves the right to make changes in specifications, make improvements, or discontinue manufacture at any time without notice or obligation.



LOAD LIFTER MANUFACTURING LTD.

3 Anderson Blvd., Stouffville, Ontario, Canada, L4A 7X4

Tel. 905-642-9756, Fax. 905-640-1437, www.load-liftermfg.com, info@load-liftermfg.com