



# LABORER LO-PRO SERIES



- **LOW PROFILE DESIGN**
- **6-8-10,000 LBS. CAPACITY**
- **RUGGED, MANEUVERABLE AND COMPACT**
- **HIGH VISIBILITY, ALL ROLLER MASTS**
- **FULL RANGE OF ATTACHMENTS**
- **COMPONENTISED POWER TRAIN**
- **EPA COMPLIANT DIESEL ENGINE**
- **HEAVY DUTY OUTBOARD PLANETARY DRIVE AXLE**
- **HYDRAULIC OIL IMMERSED DISC BRAKES**
- **FOUR SPEED TRANSMISSION**
- **HEAVY DUTY STEER AXLE**
- **AVAILABLE FOUR WHEEL DRIVE**
- **ISOLATED OPERATORS MODULE**
- **ERGONOMIC CONTROLS**
- **AVAILABLE POULTRY PACKAGE**

**LOAD LIFTER FEATURES DO WORK FOR YOU**

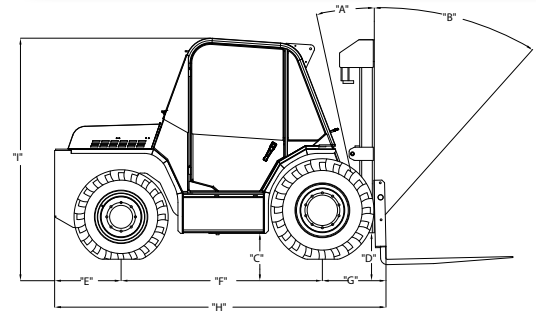
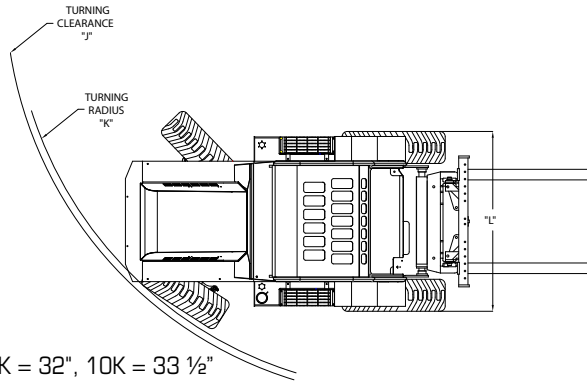
# SPECIFICATIONS

## MACHINE APROX. WEIGHTS

6000 lb. – 2722 kg (11,240 lbs.)  
 8000 lb. – 5629 kg (13,640 lbs.)  
 10000 lb. – 7421 kg (16,360 lbs.)

## MACHINE DIMENSIONS

A (Tilt Back) 14°  
 B (Tilt Forward) 20°  
 C (Machine Ground Clearance) 7½"  
 D (Mast Ground Clearance) 10"  
 E (Counterweight Overhang) 6K = 25 ½", 8K = 32", 10K = 33 ½"  
 F (Wheelbase) 76"  
 G (C/L Drive Axle to Face of Forks) 6K = 25 ¼", 8K & 10K = 26 ¼"  
 H (Overall Length to Face of Forks) 6K = 126 ¾", 8K = 134 ¼", 10K = 135 ¾"  
 I (Overall Height Top of Canopy) 78 ½"  
 J (Turning Clearance) 6K - 2WD = 144 ½", 4WD = 159 ½"  
 8K - 2WD = 151", 4WD = 166" 10K - 2WD 152 ½", 4WD 167 ½"  
 K (Turning Radius) 2WD = 143", 4WD = 158"  
 L (Overall Width) = 73 ¾"



## ENGINE

Make Cummins 3.3 C65 Tier-4i Diesel  
 Displacement 3.3 Litres (201 cu. in.)  
 Gross H.P. 48.5 KW. (65 H.P.)  
 Maximum Torque 215 N.m. (158 ft. lbs.)  
 Rated Speed 2600 r.p.m.

## TRANSMISSION

TYPE 4 Speed Synchromesh with Power Reverser & Torque Converter  
 SPEEDS 1st 4.6 km (2.9 mph)  
 2nd 7.5 km (4.7 mph)  
 3rd 14.1 km (8.8 mph)  
 4th 27.9 km (17.3 mph)

## HYDRAULIC SYSTEM

Pump Gear Type System c/w Load Sense Steering Circuit  
 Filter 25 Micron Replaceable Element Modular Control Valve c/w Tilt Lock System

## ELECTRICAL SYSTEM

Volts 12  
 Alternator 60 amp. Diesel  
 Instrumentation Full LED Display

## FLUID CAPACITIES

Cooling System 9.5 litres / 10 Quarts  
 Engine Oil 7.0 litres / 7.4 Quarts  
 Fuel 80 litres / 21.1 U.S. Gal.  
 Hydraulic Oil 65 litres / 17.2 U.S. Gal.  
 Transmission Oil 21.4 litres / 22.2 Quarts

## BRAKES

Service Hydraulic Oil Immersed Wet Disc  
 Parking Manual External Disc on Transmission

## AXLES

Drive Heavy Duty Outboard Planetary Drive  
 Steer High Strength Cast Steel Housing c/w Planetary Drive Wheel Ends and 46° Lock Angle Large Tapered Roller Bearing Spindle Wheel Ends

## TIRES

Drive 14 x 17.5 - 14 ply  
 Steer 2WD 4WD 12 x 16.5 - 12 ply

## STANDARD EQUIPMENT

- 4 Speed Synchromesh Transmission With Shuttle
- Power Reverser
- Hydrostatic Power Load Sense Steering
- Safety Start
- Dry Type Two Stage Air Cleaner
- High Air Intake
- Tilt and Telescopic Steering Console
- Suspension Seat
- Electronic Column Shift
- L.E.D. INSTRUMENT DISPLAY: Fuel Level, Oil Pressure Level, Water Temp Level, Alternator IND., Low Oil Pressure IND., Park Brake IND., Preheat IND., Signal IND., Work Light IND., Transmission Temp IND., Four Wheel Drive IND.
- Hour Meter
- Cyclonic Pre-Cleaner
- Overhead F.O.P.S. Canopy
- Circuit Breakers
- Block Heater
- Manifold Heater
- Heavy Duty 12 Volt Battery
- Heavy Duty Radiator c/w -40C Anti-Freeze
- Transmission Disconnect
- Heavy Duty Outboard Planetary Drive axle
- Oil Immersed Disc Brakes
- Hydraulic Brakes
- Heavy Duty Steer Axle
- Hand Park Brake Assembly c/w Park Brake Saver
- Front And Rear Fenders
- Horn
- Back Up Alarm
- Tilt Lock Valve
- 4 Work Lights
- Suspension Seat
- Retractable Seat Belts
- 48" Forks & 48" Carriage on 6,000 LB
- 48" Forks & 60" Carriage on 8 & 10,000.LB

## OPTIONAL EQUIPMENT

- Four Wheel Drive
- 74 HP Interim Tier 4 Turbo Diesel Engine
- 2.2 liter L.P.G. Engine
- All Steel Ergonomic Cab Module
- Right Hand Slider Window
- Front & Rear Washer Kit
- Mirrors
- Signals, Hazard's, Strobe Light, LED Lights
- Exhaust Purifier
- Power Brakes
- Side Shift
- Fork Positioner
- Full Range Of Masts & Attachments
- Poultry Package (Heavy Duty Engine & Transmission Cooling System, Feather Screen & Engine High Heat Shut Down)
- Overhead R.O.P.S. Canopy

This information contained herein is general in nature and not intended for specific application purpose. Load Lifter reserves the right to make changes in specifications, make improvements, or discontinue manufacture at any time without notice or obligation.



## LOAD LIFTER MANUFACTURING LTD.

3 Anderson Blvd., Stouffville, Ontario, Canada, L4A 7X4

Tel. 905-642-9756, Fax. 905-640-1437, www.load-liftermfg.com, info@load-liftermfg.com