



# **TT-2200-2400 TOW TRACTOR**



- **15,000 LB HITCH CAPACITY**
- **DESIGNED AND BUILT FOR THE MANUFACTURED HOUSING INDUSTRY**
- **EASY ON & OFF ACCESS**
- **ERGONOMIC CONTROLS**
- **TILT STEERING CONSOLE**
- **HIGH VISIBILITY OPERATORS COMPARTMENT**
- **COMPONENTIZED POWER TRAIN**
- **RUGGED MAIN FRAME CONSTRUCTION**
- **OIL IMMERSED DISC BRAKES**
- **HYDROSTATIC POWER STEERING**
- **AVAILABLE FOUR WHEEL DRIVE**
- **MANUFACTURED IN NORTH AMERICA**

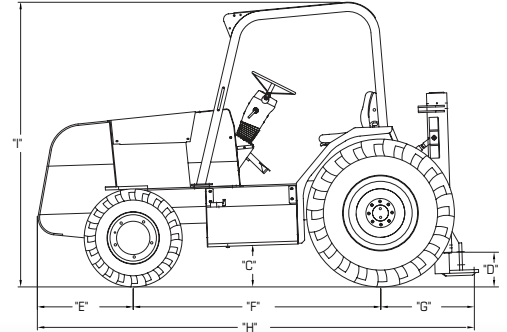
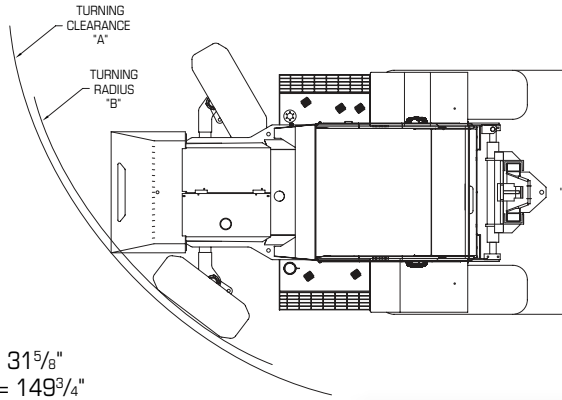
**LOAD LIFTER FEATURES DO WORK FOR YOU**

## MACHINE APROX. WEIGHT

6827 kg (15,050 lbs)

## MACHINE DIMENSIONS

- A (Turning Clearance)
  - 2WD = 173½", 4WD = 179"
- B (Turning Radius)
  - 2WD = 170", 4WD = 175"
- C (Machine Ground Clearance) = 13"
- D (Hitch Lift Ground Clearance) = 10"
- E (Counterweight Overhang) = 35"
- F (Wheelbase) = 83"
- G (C/L Drive Axle to C/L of Ball Mount) = 31⅝"
- H (Overall Length to C/L of Ball Mount) = 149¾"
- I (Overall Height Top of Canopy) = 97"
- J (Overall Width) = 88"



## ENGINE

Make	Perkins 4cyl Diesel
Displacement	4.40 Litres (268 cu. in.)
Gross H.P.	74.5 KW. (99.9 H.P.)
Maximum Torque	302 N.m. (223 ft. lbs.)
Rated Speed	2400 r.p.m.

## TRANSMISSION

Type	4 Speed Powershift with Torque Converter
Speeds	1 6.5 km (4.0 mph) 2 11.5 km (7.1 mph) 3 21.0 km (13.0 mph) 4 37.0 km (23.0 mph)

## HYDRAULIC SYSTEM

Pump	Gear Type System c/w Load Sense Steering Circuit
Filter	25 Micron Replaceable Element
Modular Control Valve c/w Tilt Lock System	

## ELECTRICAL SYSTEM

Volts	12
Alternator	66 amp.
Instrumentation	Full LED Display

## STANDARD EQUIPMENT

- 4 Speed Powershift Transmission
- Electric Column Shift
- Tilt & Telescopic Steering Console
- Hydrostatic Power Load Sense Steering
- Drive Axle Mechanical Differential Lock
- Safety Start
- Dry Type Air Cleaner
- Retractable Seat Belts
- Height Adjustable Seat
- LED Instrument Display
  - Engine Temp.
  - Engine Oil Pressure
  - Fuel Level
  - Water Temp.
- Overhead Canopy
- Hour Meter
- Circuit Breakers
- Block Heater
- Manifold Heater
- Heavy Duty Battery
- Anti Freeze -40
- Horn
- Four Work Lights
- Transmission De Clutch
- 36" Hitch Lift Height
- Puncture Proof Foam Filled Drive Tires

## FLUID CAPACITIES

Cooling System	11.5 litres / 12.2 Quarts
Engine Oil	6.8 litres / 7.2 Quarts
Fuel	100 litres / 26.4 U.S. Gal.
Hydraulic Oil	85 litres / 22.5 U.S. Gal.
Transmission Oil	21.4 litres / 22.2 Quarts

## BRAKES

Service	Hydraulic Applied Internal Wet Disc
Parking	Manual External Disc on Transmission

## AXLES

Drive	Heavy Duty Outboard Planetary Drive
Steer 2 WD	Large 8" x 4" Solid Beam c/w Oversize Center Steer Control and Track Rod Design, Large Tapered Roller Bearing Spindle Wheel Ends
Steer 4 WD	High Strength Cast Steel Housing c/w Planetary Drive Wheel Ends and 50° Lock Angle

## TIRES

Drive	16.9 x 24 - 12 Ply Lug Foam Filled	
Steer	2WD	8.25 x 15 Solid Smooth
	4WD	14 x 17.5 - 14 Ply Lug Foam Filled

## OPTIONAL EQUIPMENT

- Four Wheel Drive
- Pintle Hook (30 Ton Capacity)
- Full Suspension Seat
- Powered Mirrors (Expands to 18'/Opt. 20' Span)
- Engine Side Covers
- Drive Tires Snow Chains
- Rear Elevated Exhaust
- Wire Mesh Jack Stand Box
- Dual Brake Pedals & Brake Cylinders
- Windshield Washer Kit
- 6" Hitch Side Shift
- All Steel Cab (c/w Heater, Defrost & Front Wiper)
- 60" Wide Magnetic Sweeper
- Front Steer Tire Fenders
- Snow Plow
- Passenger Jump Seat c/w Seat Belt
- Turn Signals & Emergency Flashers
- Cold Weather Package
- Vandalism Package

This information contained herein is general in nature and not intended for specific application purpose. Load Lifter reserves the right to make changes in specifications, make improvements, or discontinue manufacture at any time without notice or obligation.



**LOAD LIFTER MANUFACTURING LTD.**  
 3 Anderson Blvd. Stouffville  
 Ontario, Canada L4A 7X4  
 Tel. 416-291-9756, Fax. 416-297-4034  
 www.load-liftermfg.com, info@load-liftermfg.com